

# DPX<sup>3</sup> 160 equipment and mounting accessories



4 210 40



4 210 36

Pack	Cat.Nos	Equipment for plug-in version
1	4 210 40	A plug-in version DPX <sup>3</sup> is a fixed version DPX <sup>3</sup> mounted on a plug-in base
1	4 210 41	<b>Plug-in bases for DPX<sup>3</sup> 160</b> Front or rear terminal mounting base For DPX <sup>3</sup> 160 - 3P
1	4 210 44	<b>Connectors for auxiliary contacts</b> Set of connectors
1	4 210 45	<b>Padlocks for plug-in base</b> Key barrel and flat key N° ABA90GEL6149
1	4 210 46	Key barrel and star key N° HBA90GPS6149
1	4 210 47	Padlock accessory

Pack	Cat.Nos	Connection accessories
1	4 210 26	<b>High capacity cage terminals</b> For Cu/Al cables, 1 x 120 mm <sup>2</sup> for flexible cables and 1 x 150 mm <sup>2</sup> for rigid cable and 18 mm bars
1	4 210 27	Set of 3 terminals
1	4 210 93	Set of 4 terminals
1	4 210 94	<b>Cage terminals</b> For Cu/Al cables, 1 x 70 mm <sup>2</sup> for flexible cables and 1 x 95 mm <sup>2</sup> for rigid cables and 14 mm bars
1	4 210 70	<b>Insulated shields (phase barriers)</b> Set of 36 insulated shields
1	4 210 28	<b>Screw terminals for bars connection</b> For copper bars Set of 3 terminals
1	4 210 29	Set of 4 terminals
1	4 210 32	<b>Spreaders</b> For incoming bars or cable lugs Set of 3 spreaders for DPX <sup>3</sup> 160 3P
1	4 210 33	Set of 4 spreaders for DPX <sup>3</sup> 160 4P
1	4 210 36	<b>Rear terminals</b> Flat swivel terminals Used to convert a fixed version with front terminals to a fixed version with rear terminals Set of 3 rear terminals for DPX <sup>3</sup> 160 3P
1	4 210 37	Set of 4 rear terminals for DPX <sup>3</sup> 160 4P

Pack	Cat.Nos	Sealable terminal shields
1	4 210 54	<b>For front terminals</b> For DPX <sup>3</sup> 160 3P
1	4 210 55	For DPX <sup>3</sup> 160 3P
1	4 210 50	<b>For rear terminals</b> For DPX <sup>3</sup> 160 3P
1	4 210 51	For DPX <sup>3</sup> 160 4P

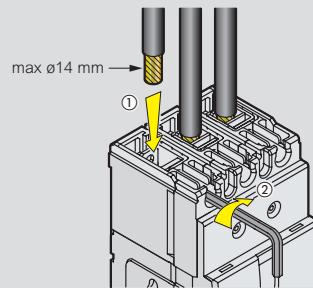
Pack	Cat.Nos	Fixing plates
1	4 210 71	For fixing DPX <sup>3</sup> 160 on  rail or on plate For DPX <sup>3</sup> 160 3P/4P without earth leakage module
1	4 210 73	For DPX <sup>3</sup> 160 4P with earth leakage module
1	4 210 68	For DPX <sup>3</sup> 160 3P/4P with side mounting motor operator

# DPX<sup>3</sup> 160

## connection

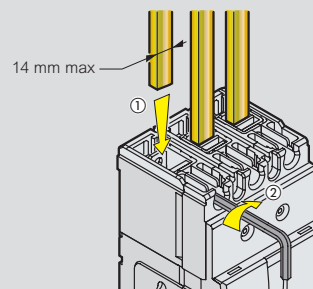
### Connection

#### Direct connection

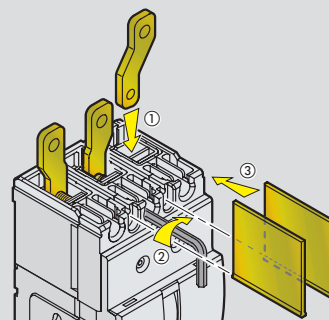


Flexible	Solid
1,5 → 70 mm <sup>2</sup>	1,5 → 95 mm <sup>2</sup>
#16 → #2/0 AWG	#16 → #4/0 AWG

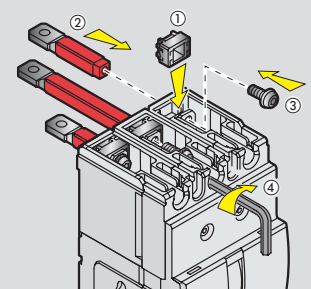
or



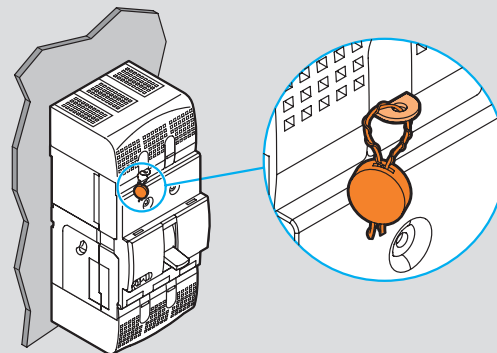
#### Spreaders



#### Rear terminals



#### Sealable terminal shield



Dimensions  
see e-catalogue

